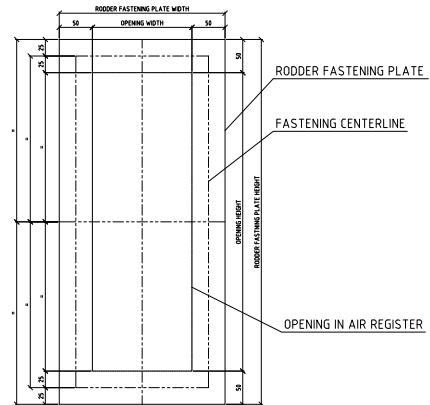
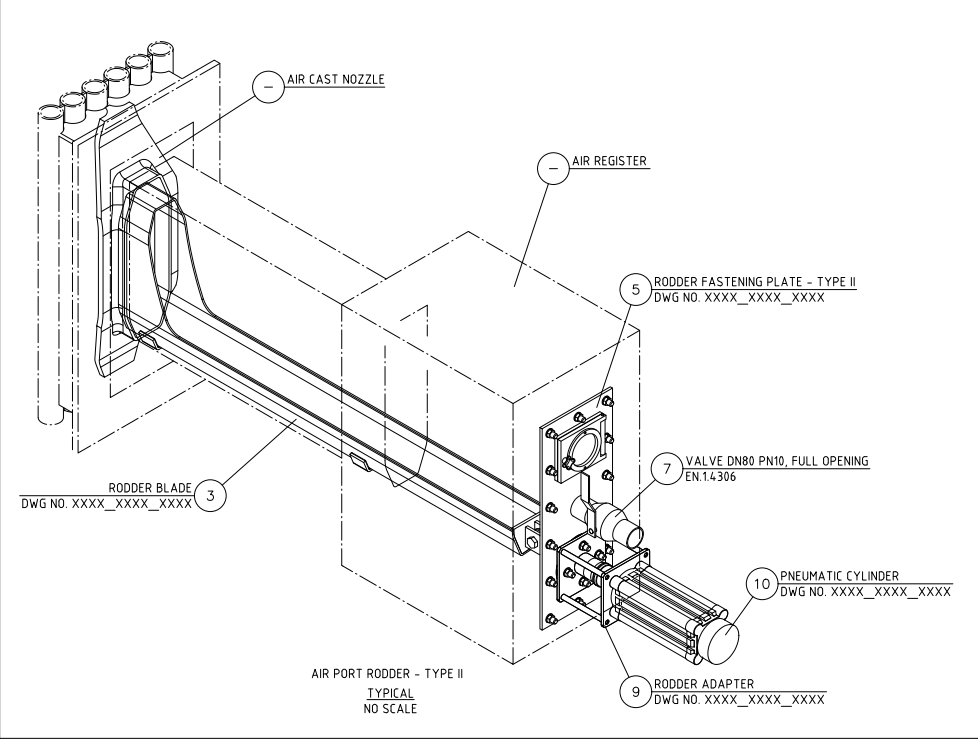
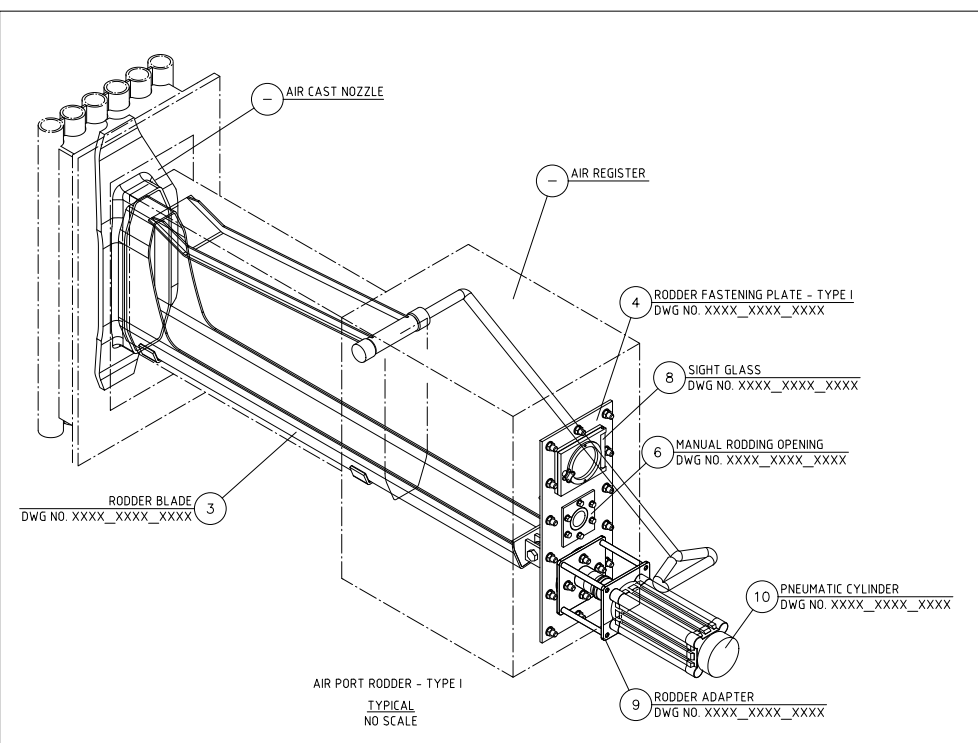


This document constitutes confidential and proprietary information of
 ADRITZ s.p.a. and its subsidiaries. Any party, including third parties, who
 reproduces, disseminates to third parties or uses this document for any
 purpose other than those expressly agreed to by any ADRITZ Company.



OPENING IN AIR REGISTER
 ACCORDING USED RODDER FASTENING PLATE

TYPICAL
 NO SCALE

ADRITZ		DRIVER	
Model	DRIVER	Part No.	DRIVER
Material	DRIVER	Material	DRIVER
Finish	DRIVER	Finish	DRIVER
Weight	DRIVER	Weight	DRIVER
Dimensions	DRIVER	Dimensions	DRIVER
Notes	DRIVER	Notes	DRIVER
1.0	RODDER MANUFACTURING DRAWING	1.0	RODDER MANUFACTURING DRAWING
2.0	RODDER MANUFACTURING DRAWING	2.0	RODDER MANUFACTURING DRAWING
3.0	RODDER MANUFACTURING DRAWING	3.0	RODDER MANUFACTURING DRAWING
4.0	RODDER MANUFACTURING DRAWING	4.0	RODDER MANUFACTURING DRAWING
5.0	RODDER MANUFACTURING DRAWING	5.0	RODDER MANUFACTURING DRAWING
6.0	RODDER MANUFACTURING DRAWING	6.0	RODDER MANUFACTURING DRAWING
7.0	RODDER MANUFACTURING DRAWING	7.0	RODDER MANUFACTURING DRAWING
8.0	RODDER MANUFACTURING DRAWING	8.0	RODDER MANUFACTURING DRAWING
9.0	RODDER MANUFACTURING DRAWING	9.0	RODDER MANUFACTURING DRAWING
10.0	RODDER MANUFACTURING DRAWING	10.0	RODDER MANUFACTURING DRAWING
11.0	RODDER MANUFACTURING DRAWING	11.0	RODDER MANUFACTURING DRAWING
12.0	RODDER MANUFACTURING DRAWING	12.0	RODDER MANUFACTURING DRAWING
13.0	RODDER MANUFACTURING DRAWING	13.0	RODDER MANUFACTURING DRAWING
14.0	RODDER MANUFACTURING DRAWING	14.0	RODDER MANUFACTURING DRAWING
15.0	RODDER MANUFACTURING DRAWING	15.0	RODDER MANUFACTURING DRAWING
16.0	RODDER MANUFACTURING DRAWING	16.0	RODDER MANUFACTURING DRAWING
17.0	RODDER MANUFACTURING DRAWING	17.0	RODDER MANUFACTURING DRAWING