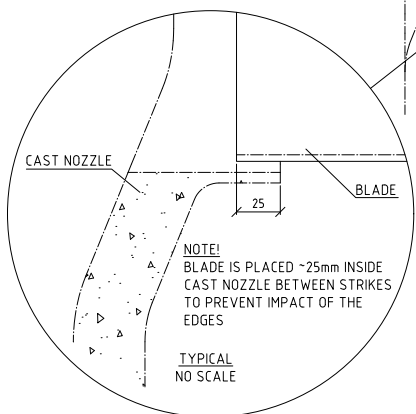
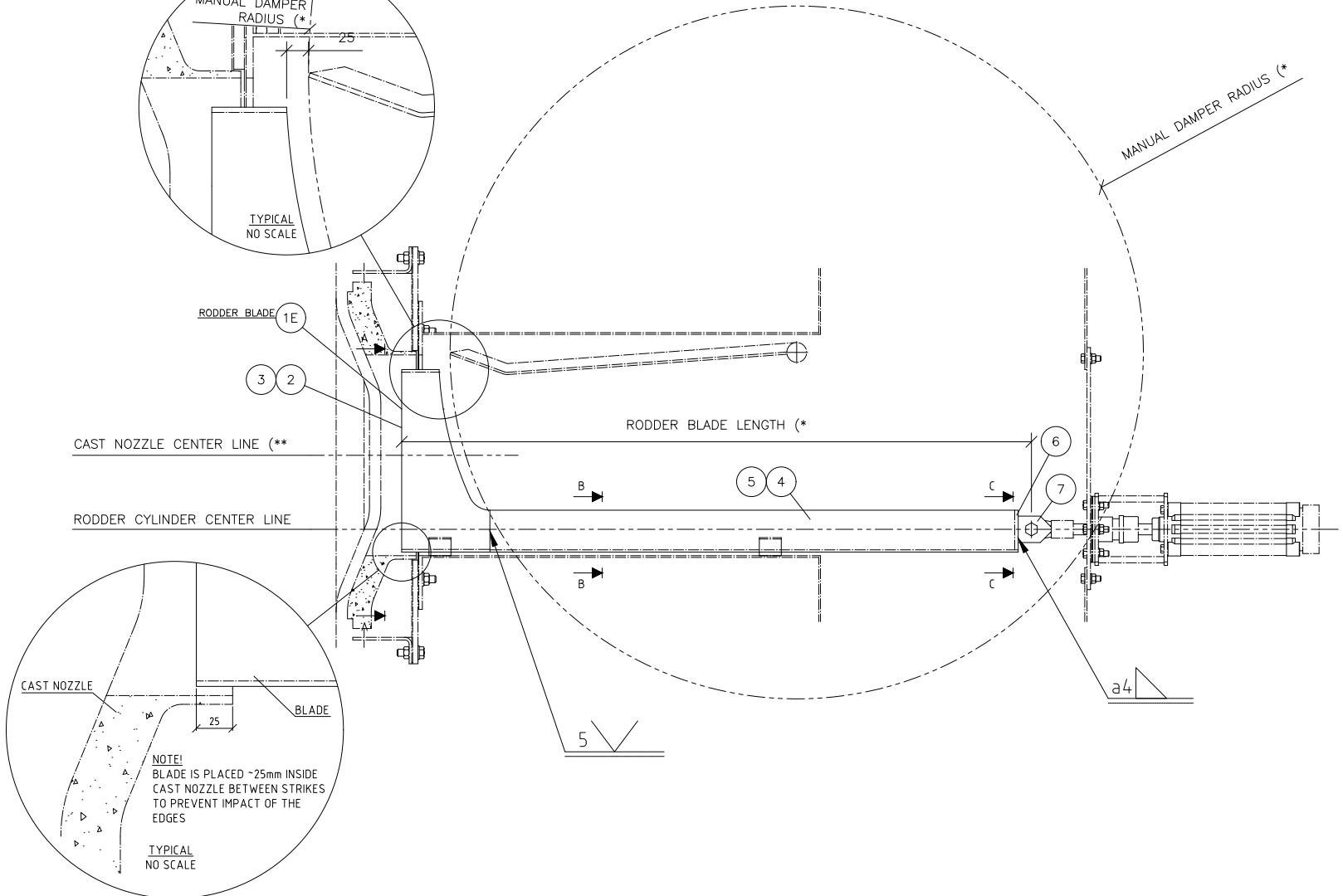
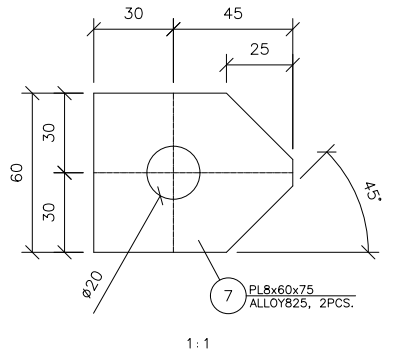
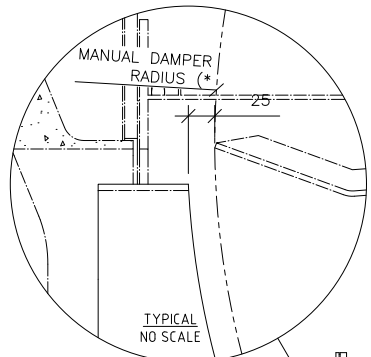


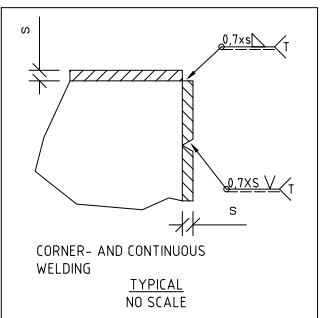
LIITE 2

| No. | Description | 14 | 15 | 16 | 17 |
|-----|-------------|----|----|----|----|
|     |             |    |    |    |    |
|     |             |    |    |    |    |
|     |             |    |    |    |    |
|     |             |    |    |    |    |



NOTE!  
x) DIMENSION DEFINED ACCORDING TO USED AIR REGISTER (IF NEEDED)

NOTE!  
xx) FROM AIR CAST NOZZLE DRAWING



AKT:  
WELDING CLASS: C EN 5817.  
T= GAS TIGHT  
ALL CORNERS Rmin=2 mm.

| Customer              | Project                 | Part Name               | Part Number             | Part Weight             | Part Size               |
|-----------------------|-------------------------|-------------------------|-------------------------|-------------------------|-------------------------|
| Customer              | Project                 | Part Name               | Part Number             | Part Weight             | Part Size               |
| Product Type          | Product Code            | Description Line 1      | Drawn                   | Checked                 | Scale                   |
| Size A1               | Scale 1:5               | Description Line 2      | Approved                | Scale                   | Scale                   |
| Project PKP           | Product ACAD            | Description Line 3      | Approved                | Scale                   | Scale                   |
| Equipment for drawing | Not replaced by drawing | Not replaced by drawing | Not replaced by drawing | Not replaced by drawing | Not replaced by drawing |
| ESF No. / Revision    | ESF No.                 | ESF No.                 | ESF No.                 | ESF No.                 | ESF No.                 |
| ESF No. / Revision    | ESF No.                 | ESF No.                 | ESF No.                 | ESF No.                 | ESF No.                 |

