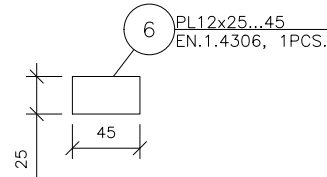
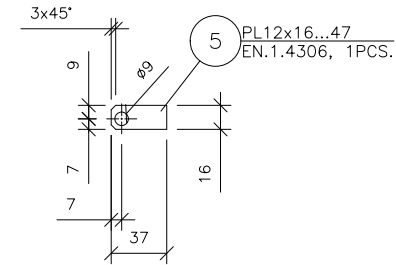
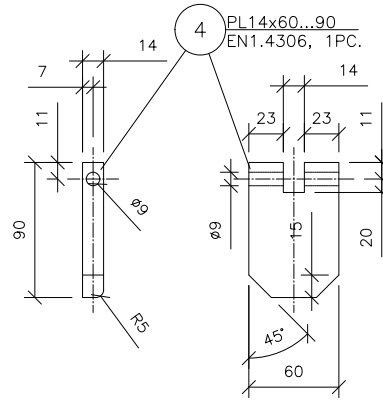
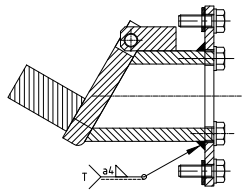
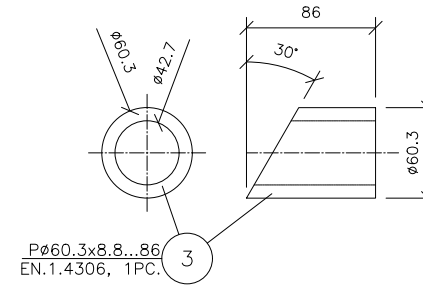
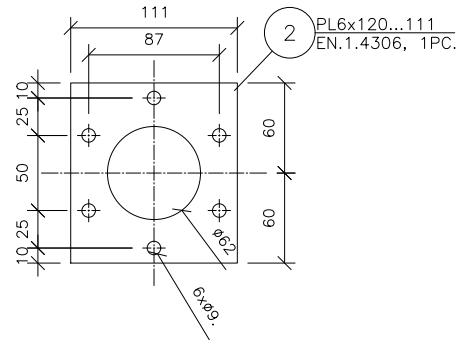
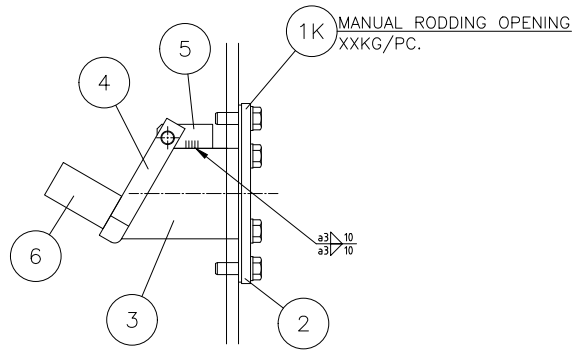


LITE 4

Rev.	Description	No.	Designed	Date	Approved	M-Firm	Note



Customer		AHC	Basic Material Name	Basic Material Standard	Net weight (kg)
Pos. no.	Customer Drawing No	Description Line 1		Designed	Date
Product Type	Product Code	Description Line 2		Drawn	Date
Size A2	Scale 1:2.5	Description Line 1 IENI MANUAL RODDING OPENING, MANUFACTURING DRAWING		Checked	Date
Division ProdHome	System ACAD	Description Line 2 IENI		Approved	Date
Replacement for drawing		Rev. Replaced by drawing	Rev.	Copy from drawing	Rev. Sort
SAP Mat. no./Variant		Ref. dwg		Old Drawing No	Rev. H-Firm
SAP Main WBS Element				Drawing no.	Rev. Sheet
					1/1

This document constitutes confidential and proprietary information of Andritz AG. It is intended for the use of the recipient only. Any disclosure, copying, distribution, or use of this document for purposes other than those expressly agreed to by Andritz Company, without the express understanding and agreement that it will be held confidential and proprietary by Andritz Company, is strictly prohibited.